

Applications

- ISM band applications
- Smart Meters
- In-home appliances
- Smart thermostats
- Remote controls

Features

- High output power at 24 dBm
- Integrated inter-stage matching
- Integrated 50 Ω input matching
- Fast switch ON/OFF time <1 μsec
- 2.0 V – 3.6 V supply operation
- Standby current <1 μA
- 2.5 x 2 x 0.55 mm 12 pin QFN
- Pb-free, RoHS compliant and Halogen free

Product Description

The SE2433T is a high performance, Power Amplifier, optimized for ZigBee and 802.15.4 applications.

The SE2433T is designed for ease of use and maximum flexibility, with an integrated input match, and a digital enable control for CMOS compatible device on/off control.

Ordering Information

Part No.	Package	Remark
SE2433T-R	12 pin QFN	Tape & Reel
SE2433T-EK1	N/A	Evaluation kit

Functional Block Diagram

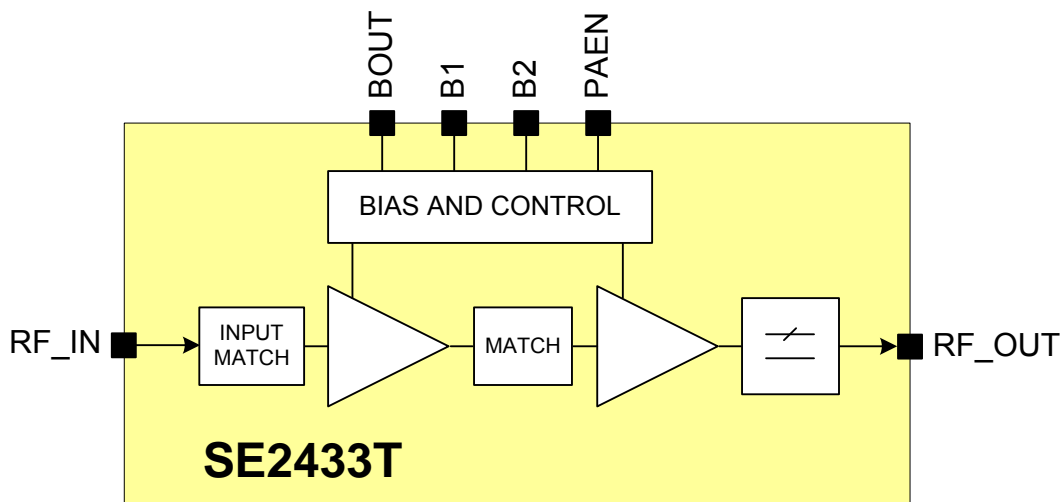


Figure 1: Functional Block Diagram

<http://www.sige.com>

Email: sales@sige.com

Customer Service Locations:

North America:
1050 Morrison Drive, Suite 100
Ottawa ON K2H 8K7 Canada

Phone: +1 613 820 9244
Fax: +1 613 820 4933

Hong Kong
Phone: +852 3428 7222
Fax: +852 3579 5450

San Diego
Phone: +1 858 668 3541 (ext. 226)
Fax: +1 858 668 3546

United Kingdom
Phone: +44 1279 464217
Fax: +44 1279 464201

Product Preview

The datasheet contains information from the product concept specification. Skyworks Solutions, Inc. reserves the right to change information at any time without notification.

Preliminary Information

The datasheet contains information from the design target specification. Skyworks Solutions, Inc. reserves the right to change information at any time without notification.

Production testing may not include testing of all parameters.

Information furnished is believed to be accurate and reliable and is provided on an "as is" basis. Skyworks Solutions, Inc. assumes no responsibility or liability for the direct or indirect consequences of use of such information nor for any infringement of patents or other rights of third parties, which may result from its use. No license or indemnity is granted by implication or otherwise under any patent or other intellectual property rights of Skyworks Solutions, Inc. or third parties. Specifications mentioned in this publication are subject to change without notice. This publication supersedes and replaces all information previously supplied. Skyworks Solutions, Inc. products are NOT authorized for use in implantation or life support applications or systems without express written approval from Skyworks Solutions, Inc.

Copyright 2011 Skyworks Solutions, Inc.
All Rights Reserved