

Printed Circuit Board Headers

Technical Features

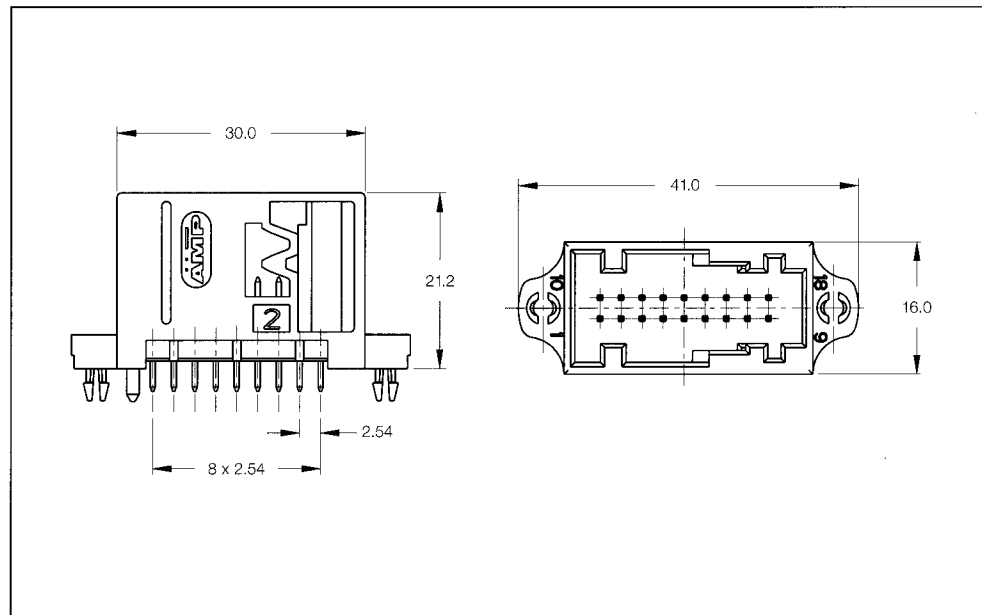
No. of Positions:
18 Positions with Board Locks

Housing Material:
PET GF30

Material and Finish:
CuSn6, post tin plated

Product Specification:
108-15195

Application Specification:
—



18 Position PCB Headers

No. of Pos.	Keying Options	Housing Color	Part Numbers					
			PCB Header Right-Angle	PCB Header Vertical	Cover	Cover and Lever	Retainer Housing	Mating Counter Part
18	-	White (post no selective)	-	953264-1	-	-	-	185307
		White (post selective)	-	1-953264-1	-	-	-	185315
		Black (post no selective)	-	953264-2	-	-	-	185329
		Black (post selective)	-	1-953264-2	-	-	-	1379100
								1379101