



# 1.425V to 3.6V Input, 500mA Low-Dropout Regulators with BIAS Input

MAX15029/MAX15030

## General Description

The MAX15029/MAX15030 low-dropout linear regulators operate from input voltages as low as 1.425V and deliver up to 500mA of continuous output current with a typical dropout voltage of only 40mV. The output voltage is adjustable from 0.5V to  $V_{IN}$  and is  $\pm 2\%$  accurate over load and line variations, from  $-40^{\circ}\text{C}$  to  $+125^{\circ}\text{C}$ . The MAX15030 features a BIAS input of 3V to 5.5V from an always-on power supply. The BIAS input current is reduced down to less than  $2\mu\text{A}$  during the shutdown.

These regulators use small,  $1\mu\text{F}$  ceramic input capacitors and  $2.2\mu\text{F}$  ceramic output capacitors to deliver 500mA output current. High bandwidth provides excellent transient response and limits the output voltage deviation to 10mV for a 100mA to 500mA load step, with only a  $2.2\mu\text{F}$  ceramic output capacitor, and the voltage deviations can be reduced further by increasing the output capacitor.

These devices offer a logic-controlled shutdown input to reduce input current ( $I_{IN}$ ) consumption down to less than  $5.5\mu\text{A}$  in standby mode. Other features include a soft-start to reduce inrush current, short-circuit protection, and thermal-overload protection.

The MAX15030 features a BIAS input allowing a secondary supply to keep the LDO's internal circuitry alive if the voltage on IN goes to 0. Both devices are fully specified from  $-40^{\circ}\text{C}$  to  $+125^{\circ}\text{C}$  and are available in a 10-pin thermally enhanced TDFN package (3mm x 3mm) that includes an exposed pad for optimal power dissipation. For a 1A version of these LDOs, refer to the MAX15027/MAX15028 data sheet.

## Applications

Automotive (Dead-Man LDO)  
Servers  
Storage  
Networking  
Base Stations  
Optical Modules  
ATE

Typical Operating Circuits appear at end of data sheet.

## Features

- ◆ 1.425V to 3.6V Input Voltage Range
- ◆ Output Voltage Programmable from 0.5V to  $V_{IN}$
- ◆ Guaranteed Maximum 150mV Dropout at 500mA Output Current
- ◆ 2% Output Accuracy Over Load, Line, and Temperature
- ◆ Stable with Ceramic Capacitors
- ◆ Fast Transient Response
- ◆  $60\mu\text{A}$  Operating Bias Supply Current
- ◆  $1.2\mu\text{A}$  Shutdown Bias Supply Current
- ◆ Short-Circuit and Thermal Protection
- ◆  $-40^{\circ}\text{C}$  to  $+125^{\circ}\text{C}$  Operating Temperature Range
- ◆ Soft-Start Limits Inrush Current
- ◆ Thermally Enhanced 3mm x 3mm TDFN Package

## Ordering Information

PART	TEMP RANGE	PIN-PACKAGE	TOP MARK
MAX15029ATB+	$-40^{\circ}\text{C}$ to $+125^{\circ}\text{C}$	10 TDFN-EP*	+AUF
MAX15029ATB/V+	$-40^{\circ}\text{C}$ to $+125^{\circ}\text{C}$	10 TDFN-EP*	+AXK
MAX15030ATB+	$-40^{\circ}\text{C}$ to $+125^{\circ}\text{C}$	10 TDFN-EP*	+AUG

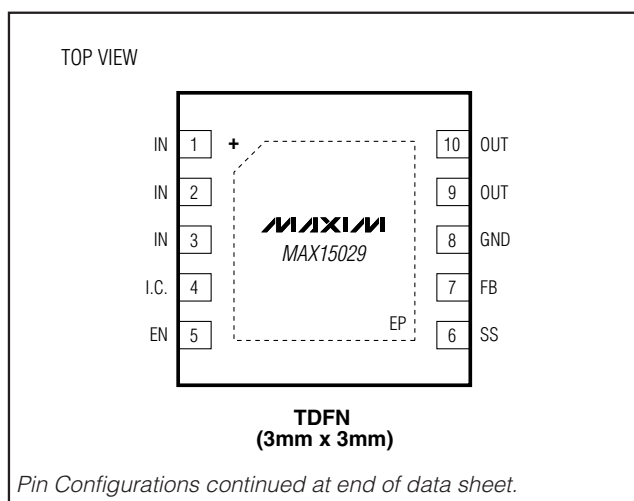
*/V denotes an automotive qualified part.*

*+Denotes a lead(Pb)-free/RoHS-compliant package.*

*For tape-and-reel orders, add a "T" after the "+."*

*\*EP = Exposed pad.*

## Pin Configurations



# 1.425V to 3.6V Input, 500mA Low-Dropout Regulators with BIAS Input

## ABSOLUTE MAXIMUM RATINGS

IN, FB, SS, I.C. to GND.....-0.3V to +4.0V  
 BIAS to GND.....-0.3V to +6V  
 EN to GND.....-0.3V to the lower of ( $V_{BIAS} + 0.3V$ ) or +6V  
 OUT to GND.....-0.3V to ( $V_{IN} + 0.3V$ )  
 Output Short-Circuit Duration.....Continuous  
 Continuous Power Dissipation ( $T_A = +70^\circ\text{C}$ )  
 TDFN (derate 24.4mW/ $^\circ\text{C}$  above +70 $^\circ\text{C}$ ).....1951mW

Operating Junction Temperature Range.....-40 $^\circ\text{C}$  to +125 $^\circ\text{C}$   
 Maximum Junction Temperature.....+150 $^\circ\text{C}$   
 Storage Temperature Range.....-65 $^\circ\text{C}$  to +150 $^\circ\text{C}$   
 Lead Temperature (soldering, 10s).....+300 $^\circ\text{C}$   
 Soldering Temperature (reflow).....+260 $^\circ\text{C}$

## PACKAGE THERMAL CHARACTERISTICS (Note 1)

TDFN

Junction-to-Ambient Thermal Resistance ( $\theta_{JA}$ ).....41 $^\circ\text{C}/\text{W}$   
 Junction-to-Case Thermal Resistance ( $\theta_{JC}$ ).....9 $^\circ\text{C}/\text{W}$

**Note 1:** Package thermal resistances were obtained using the method described in JEDEC specification JESD51-7, using a four-layer board. For detailed information on package thermal considerations, refer to [www.maxim-ic.com/thermal-tutorial](http://www.maxim-ic.com/thermal-tutorial).

Stresses beyond those listed under "Absolute Maximum Ratings" may cause permanent damage to the device. These are stress ratings only, and functional operation of the device at these or any other conditions beyond those indicated in the operational sections of the specifications is not implied. Exposure to absolute maximum rating conditions for extended periods may affect device reliability.

## ELECTRICAL CHARACTERISTICS

(Circuit of Figure 1;  $V_{IN} = 1.8V$ ,  $V_{OUT} = 1.2V$ , EN = IN for MAX15029, EN = BIAS for MAX15030,  $I_{OUT} = 100\text{mA}$ ,  $T_A = T_J = -40^\circ\text{C}$  to +125 $^\circ\text{C}$ . Typical values are at  $T_A = +25^\circ\text{C}$ , unless otherwise noted.) (Note 2)

PARAMETER	SYMBOL	CONDITIONS		MIN	TYP	MAX	UNITS
<b>IN</b>							
Input Voltage Range	$V_{IN}$	MAX15029		1.425		3.600	V
		MAX15030	$V_{BIAS} = 3V$ to 5.5V BIAS = IN	1.425 3.000		3.600 3.600	
Undervoltage Lockout	$V_{UVLO}$	$V_{IN}$ rising	MAX15029	1.275	1.325	1.375	V
			MAX15030	1.04	1.09	1.14	
Undervoltage Lockout Hysteresis	$V_{UVLO\_HYST}$	$I_{OUT} = 2\text{mA}$			50		mV
Quiescent GND Current	$I_{GND}$	$V_{IN} = 1.425V$ to 3.6V, $V_{OUT} = 1.2V$ , $I_{OUT} = 1\text{mA}$ , $V_{BIAS} = 3.3V$		160	275	410	$\mu\text{A}$
		$V_{IN} = 3.6V$ , $V_{OUT} = 3.3V$ , $I_{OUT} = 100\text{mA}$		180	325	560	
		$V_{IN} = 3.3V$ , $V_{OUT} = 3.3V$ , $I_{OUT} = 500\text{mA}$		170	315	470	
Input Supply Current in Shutdown	$I_{IN\_SD}$	$V_{EN} = 0V$ ( $T_A = -40^\circ\text{C}$ to +85 $^\circ\text{C}$ )			0.1	5.5	$\mu\text{A}$
<b>BIAS (MAX15030)</b>							
Input Voltage Range	$V_{BIAS}$			3		5.5	V
Undervoltage Lockout	$V_{BIAS\_UVLO}$	$V_{BIAS}$ rising		2.3	2.5	2.7	V
Undervoltage Lockout Hysteresis		$I_{OUT} = 2\text{mA}$			110		mV
Quiescent Input Supply Current	$I_{BIAS}$	$V_{EN} = V_{BIAS}$		20	60	120	$\mu\text{A}$
Input Supply Current in Shutdown	$I_{BIAS\_SD}$	EN = GND	$V_{IN} = 0V$ , $V_{OUT} = 0V$ , $V_{BIAS} = 3.3V$		1.2	2	$\mu\text{A}$
			$V_{IN} = 3.3V$ , $V_{OUT} = 0V$ , $V_{BIAS} = 3.3V$		1.2	2	
			$V_{IN} = 3.3V$ , $V_{OUT} = 0V$ , $V_{BIAS} = 5V$		1.5	3	

# 1.425V to 3.6V Input, 500mA Low-Dropout Regulators with BIAS Input

**MAX15029/MAX15030**

## ELECTRICAL CHARACTERISTICS (continued)

(Circuit of Figure 1;  $V_{IN} = 1.8V$ ,  $V_{OUT} = 1.2V$ , EN = IN for MAX15029, EN = BIAS for MAX15030,  $I_{OUT} = 100mA$ ,  $T_A = T_J = -40^{\circ}C$  to  $+125^{\circ}C$ . Typical values are at  $T_A = +25^{\circ}C$ , unless otherwise noted.) (Note 2)

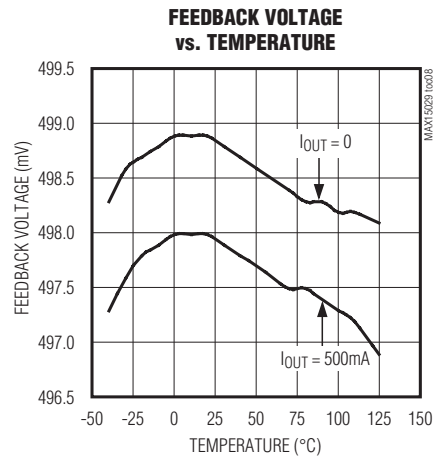
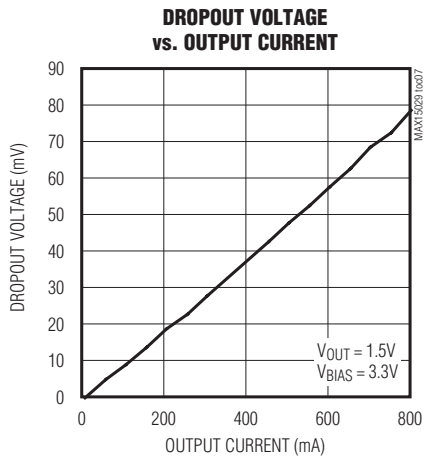
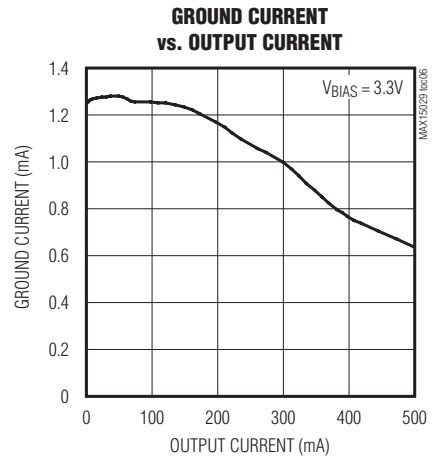
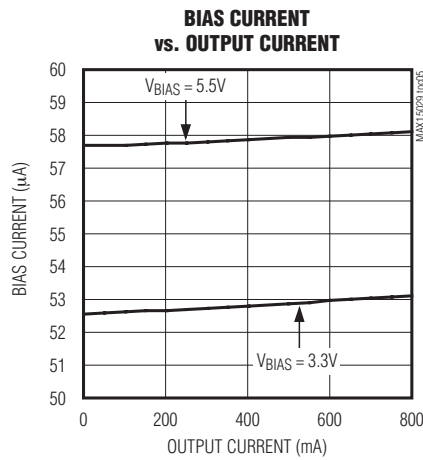
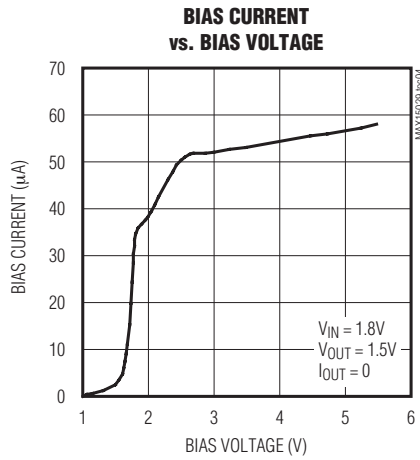
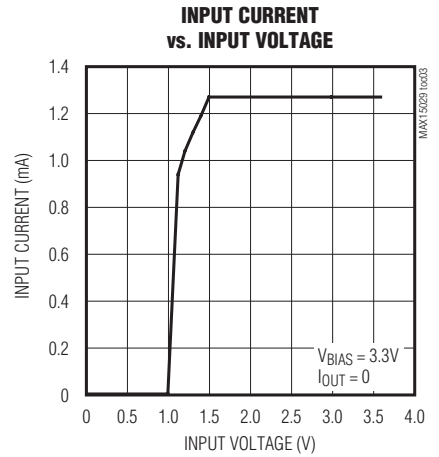
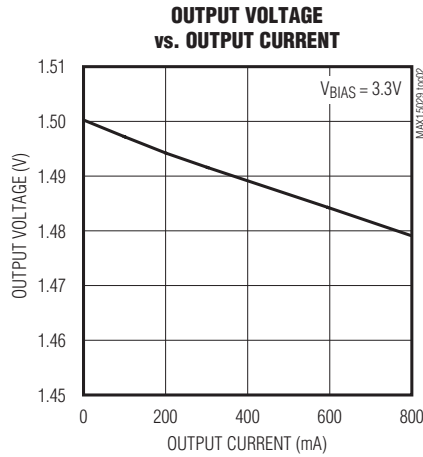
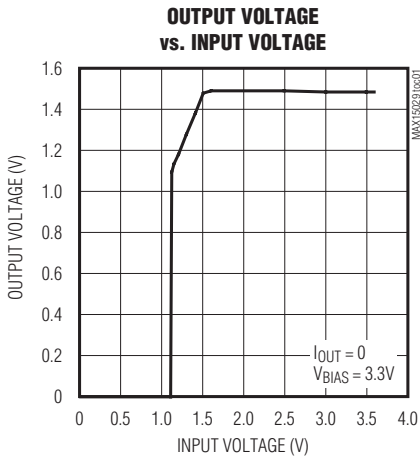
PARAMETER	SYMBOL	CONDITIONS	MIN	TYP	MAX	UNITS
<b>OUT</b>						
Output Voltage Range	$V_{OUT}$		0.5		3.3	V
Load Regulation		$I_{OUT} = 1mA$ to $500mA$		0.01		mV/mA
Line Regulation		$V_{IN} = 1.425V$ to $3.6V$ , $V_{OUT} = 1.2V$ , $I_{OUT} = 1mA$		4		mV
Dropout Voltage ( $V_{IN} - V_{OUT}$ ) (Note 3)	$V_{DO}$	$I_{OUT} = 500mA$ , $V_{OUT} = 1.2V$ , $V_{IN} = 1.5V$		40	150	mV
Output Current Limit	$I_{LIM}$	$V_{FB} = 300mV$	0.7	0.85	1.0	A
<b>FB</b>						
Threshold Accuracy	$V_{FB}$	$V_{OUT} = 1.125V$ to $3.3V$ , $V_{IN} = (V_{OUT} + 0.3V)$ to $3.6V$ , $I_{OUT} = 1mA$ to $500mA$	0.489	0.499	0.509	V
Input Current	$I_{FB}$	$V_{FB} = 0.488V$		0.1	0.2	$\mu A$
<b>EN/SOFT-START</b>						
Enable Input Threshold (MAX15030)	$V_{IH}$	$V_{BIAS} = 5V$	1.05		0.4	V
	$V_{IL}$					
Enable Input Threshold (MAX15029)	$V_{IH}$	$V_{IN} = 1.8V$	1.05		0.4	V
	$V_{IL}$					
Soft-Start Charging Current	$I_{SS}$			5		$\mu A$
Soft-Start Reference Voltage	$V_{SS}$			0.499		V
<b>THERMAL SHUTDOWN</b>						
Thermal Shutdown Threshold		$T_J$ rising		165		$^{\circ}C$
Thermal Shutdown Hysteresis				15		$^{\circ}C$

**Note 2:** All devices are production tested at  $T_A = +25^{\circ}C$ . Limits over the operating temperature range are guaranteed by design and characterization.

# 1.425V to 3.6V Input, 500mA Low-Dropout Regulators with BIAS Input

## Typical Operating Characteristics

(Circuit of Figure 1,  $V_{IN} = 1.8V$ ,  $V_{OUT} = 1.5V$ ,  $I_{OUT} = 500mA$ ,  $T_A = +25^\circ C$ , unless otherwise noted.)

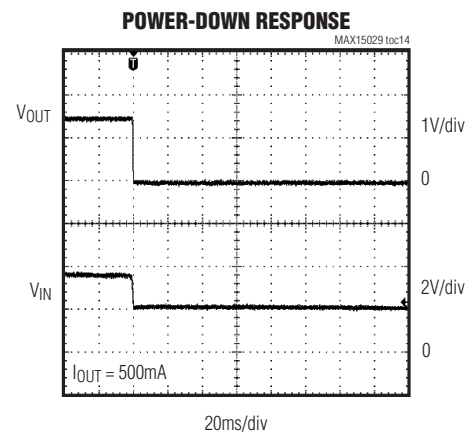
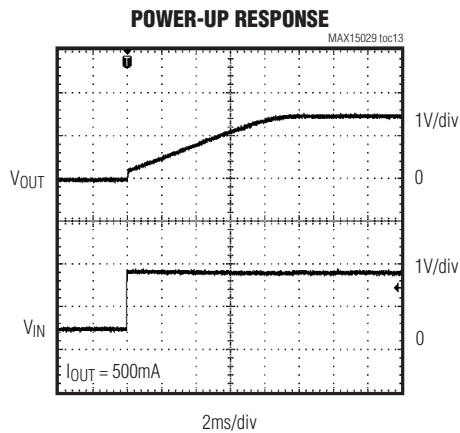
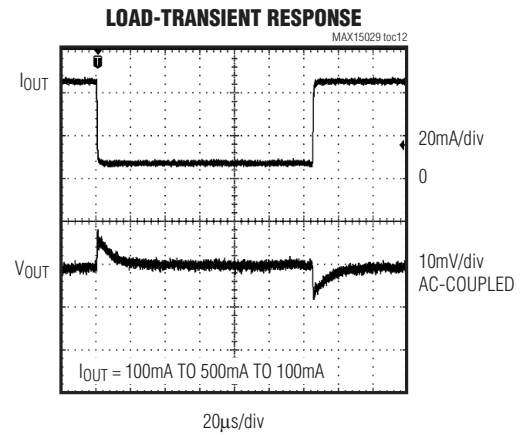
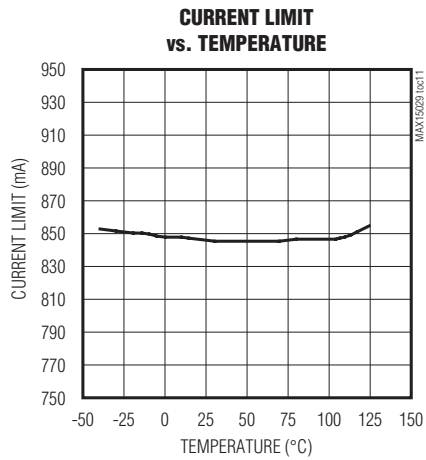
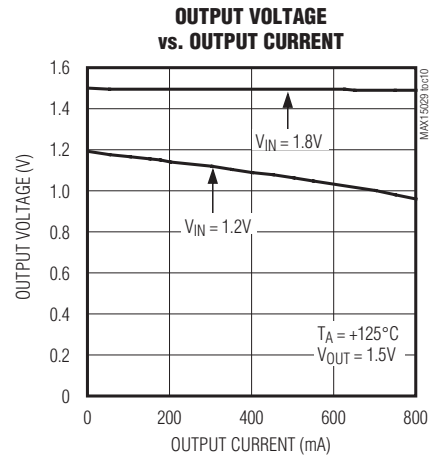
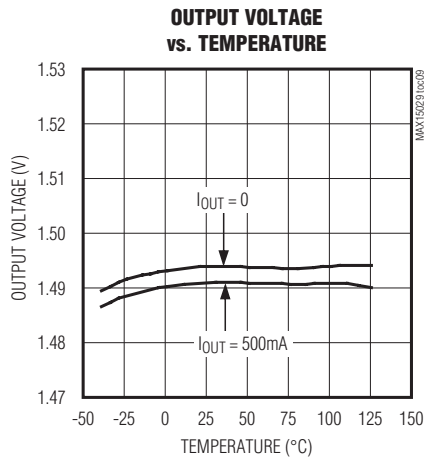


# 1.425V to 3.6V Input, 500mA Low-Dropout Regulators with BIAS Input

## Typical Operating Characteristics (continued)

(Circuit of Figure 1,  $V_{IN} = 1.8V$ ,  $V_{OUT} = 1.5V$ ,  $I_{OUT} = 500mA$ ,  $T_A = +25^\circ C$ , unless otherwise noted.)

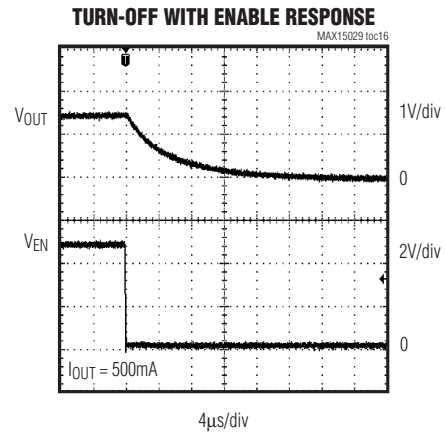
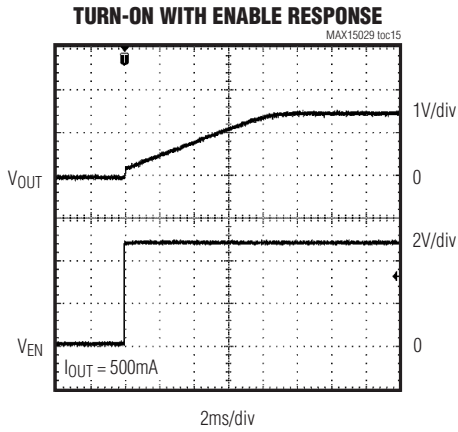
MAX15029/MAX15030



# 1.425V to 3.6V Input, 500mA Low-Dropout Regulators with BIAS Input

## Typical Operating Characteristics (continued)

(Circuit of Figure 1,  $V_{IN} = 1.8V$ ,  $V_{OUT} = 1.5V$ ,  $I_{OUT} = 500mA$ ,  $T_A = +25^\circ C$ , unless otherwise noted.)

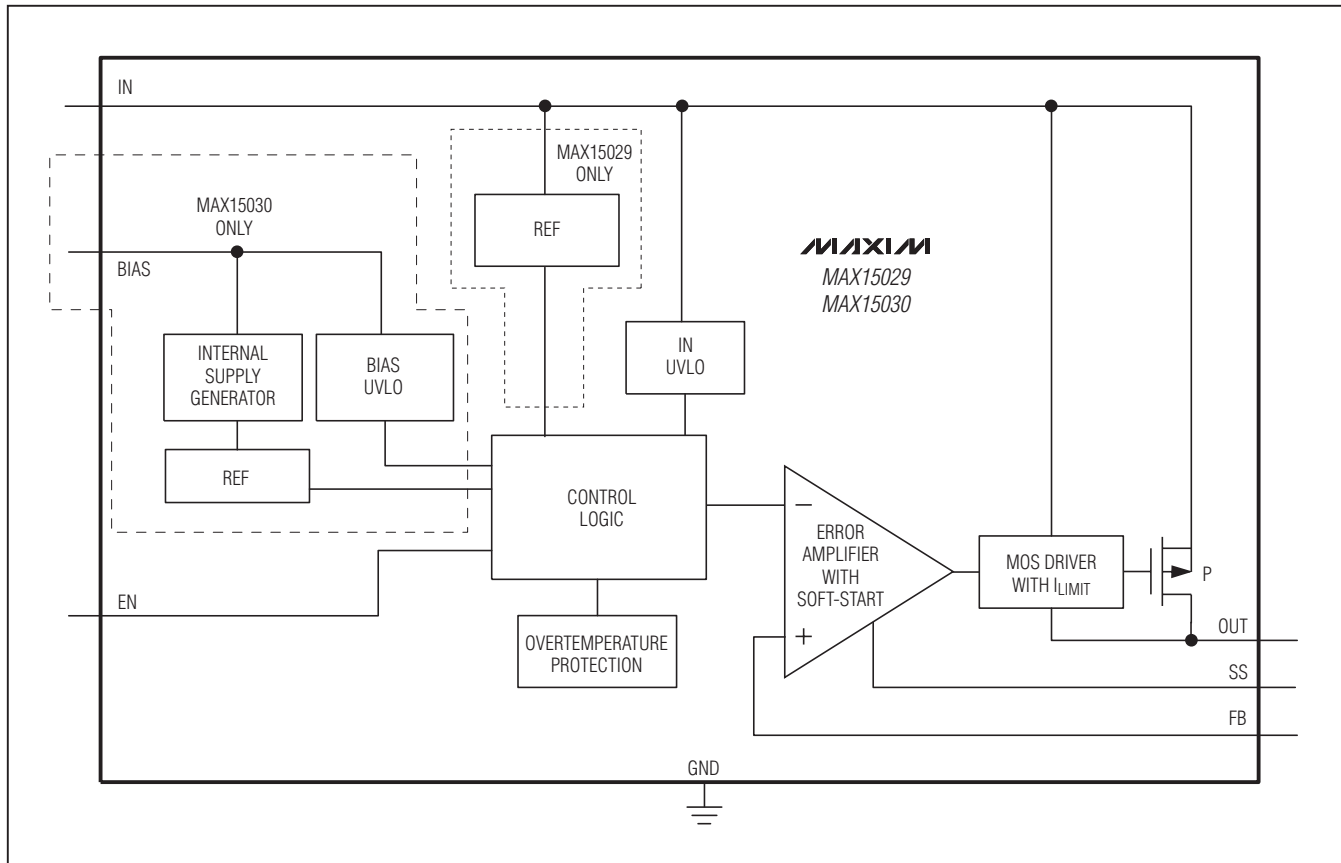


## Pin Description

PIN		NAME	FUNCTION
MAX15029	MAX15030		
1, 2, 3	1, 2	IN	Regulator Input. 1.425V to 3.6V voltage range. Bypass to GND with at least 1µF of ceramic capacitance. IN is high impedance when the LDO is shut down.
—	3	BIAS	Internal Circuitry Supply Input. BIAS supplies the power for the internal circuitry. 3V to 5.5V voltage range.
4	4	I.C.	Internally Connected. Connect I.C. directly to GND.
5	5	EN	LDO Enable. Drive EN high to enable the LDO or connect to IN (BIAS for MAX15030) for always-on operation. Drive EN low to disable the LDO and place the IC in low-power shutdown mode.
6	6	SS	Soft-Start Input. For typical operation, connect a 0.1µF capacitor from SS to GND. The soft-start timing is dependent on the value of this capacitor. See the <i>Soft-Start</i> section.
7	7	FB	Feedback Input. Connect FB to the center of a resistor-divider connected between OUT and GND to set the output voltage. See the <i>Programming the Output Voltage</i> section.
8	8	GND	Ground
9, 10	9, 10	OUT	Regulator Output. Bypass OUT to GND with at least 2.2µF of ceramic capacitance for 500mA load operation.
—	—	EP	Exposed Pad. Connect EP to GND and a large copper ground plane to facilitate package power dissipation.

# 1.425V to 3.6V Input, 500mA Low-Dropout Regulators with BIAS Input

## Functional Diagram



MAX15029/MAX15030

### Detailed Description

The MAX15029/MAX15030 low-dropout linear regulators operate from input voltages as low as 1.425V and deliver up to 500mA of continuous output current with a maximum dropout voltage of only 150mV.

The MAX15030 operates with an input voltage as low as 1.425V if the bias voltage ( $V_{BIAS}$ ) of 3V to 5.5V is available. The power is applied at IN while the control is provided through BIAS input. The current drawn by BIAS is negligible when the LDO goes into the shut-down. This feature is especially useful in automotive

applications where the BIAS input is derived from an always-on LDO that expects to provide minimal power during the key-off condition.

The pMOS output stage can be driven from input voltages down to +1.425V without sacrificing stability or transient performance. The output voltage of all the regulators is adjustable from 0.5V to  $V_{IN}$  and is  $\pm 2\%$  accurate over load and line variations, from  $-40^{\circ}\text{C}$  to  $+125^{\circ}\text{C}$ . Since these regulators have a pMOS output device, supply current is not a significant function of load or input headroom.

# 1.425V to 3.6V Input, 500mA Low-Dropout Regulators with BIAS Input

## Internal p-Channel Pass Transistor

The MAX15029/MAX15030 feature a 75mΩ (typ) p-channel MOSFET pass transistor. Unlike similar designs using pnp pass transistors, p-channel MOSFETs require no base drive, reducing quiescent current. pnp-based regulators also waste considerable current in dropout when the pass transistor saturates and uses high base-drive currents under large loads. The MAX15029/MAX15030 do not suffer from these problems and consume only 315μA (typ) of quiescent current under heavy loads, as well as in dropout.

## Short-Circuit/ Thermal Fault Protection

The MAX15029/MAX15030 are fully protected from a short circuit at the output through current-limiting and thermal-overload circuitry. In the fault condition when the output is shorted to ground, the output current is limited to a maximum of 1A. Under these conditions, the device quickly heats up. When the junction temperature reaches +165°C (typ), the thermal-overload circuitry turns off the output, allowing the part to cool down. When the junction temperature cools to +150°C (typ), the output turns back on and reestablishes regulation. Current limiting and thermal protection continue until the fault is removed. For continuous operation, do not exceed the absolute maximum junction-temperature rating of T<sub>J</sub> = +150°C.

## Soft-Start

The MAX15029/MAX15030 feature a soft-start function that slowly ramps up the output voltage of the regulator based on the value of the capacitor (C<sub>SS</sub>) connected from SS to GND. Upon power-up, C<sub>SS</sub> is charged with a 5μA (typ) current source through SS. The voltage at SS is compared to the internal 0.5V reference (V<sub>REF</sub>). The feedback voltage for regulation (V<sub>REG</sub>) is the lower of V<sub>SS</sub> or V<sub>REF</sub>. As V<sub>SS</sub> rises, the regulation voltage (V<sub>REG</sub>) rises at the same rate. Once V<sub>SS</sub> reaches and rises above V<sub>REF</sub>, the regulation voltage then tracks the reference voltage since it is the lower of V<sub>SS</sub> and V<sub>REF</sub>. The value of C<sub>SS</sub> determines the length of the soft-start time, t<sub>SS</sub>. Use the following formula to determine C<sub>SS</sub>.

$$C_{SS} = 10^{-5} \times t_{SS}$$

where C<sub>SS</sub> is in farads and t<sub>SS</sub> is in seconds.

## Shutdown Mode

The MAX15029/MAX15030 include an enable input. To shut down the IC, drive EN low. In shutdown mode, the current drawn by BIAS is less than 2μA. This feature is extremely useful in an automotive application where the BIAS input is derived from an always-on LDO expecting to provide minimal dark current. For normal operation, drive EN high or connect EN to IN for continuous on operation. During shutdown, an internal 10kΩ resistor is connected between OUT and GND.

## Applications Information

### Programming the Output Voltage

The MAX15029/MAX15030 feature an adjustable output voltage from 0.5V to V<sub>IN</sub> using two external resistors connected as a voltage-divider to FB as shown in Figure 1. The output voltage is set by the following equation:

$$V_{OUT} = V_{FB} \left( 1 + \frac{R1}{R2} \right)$$

where typically V<sub>FB</sub> = 0.5V. Choose R2 to be 10kΩ. Or, to optimize load-transient response for no load to full load transients, use the resistor-divider as a minimum load and choose R2 to be 500Ω. To simplify resistor selection:

$$R1 = R2 \left( \frac{V_{OUT}}{V_{FB}} - 1 \right)$$

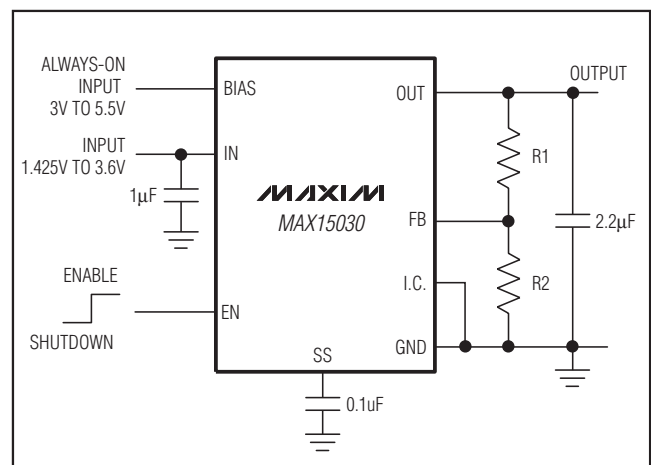


Figure 1. MAX15030 Typical Application Circuit



# 1.425V to 3.6V Input, 500mA Low-Dropout Regulators with BIAS Input

## Capacitor Selection and Regulator Stability

Capacitors are required at the MAX15029/MAX15030's inputs and outputs for stable operation over the full temperature range and with load currents up to 500mA. Connect a 1 $\mu$ F capacitor between IN and ground and a 2.2 $\mu$ F capacitor with low equivalent series resistance (ESR) between OUT and ground for 500mA output current.

The input capacitor ( $C_{IN}$ ) lowers the source impedance of the input supply. If input supply source impedance is high, place a larger input capacitor close to IN to prevent  $V_{IN}$  sagging due to load transients. Smaller output capacitors can be used for output currents less than 500mA. Calculate the minimum  $C_{OUT}$  as follows:

$$C_{OUT} = I_{OUT(MAX)} \times \left( \frac{1\mu F}{0.25A} \right)$$

## Operating Region and Power Dissipation

The maximum power dissipation depends on the thermal resistance of the IC package and circuit board, the temperature difference between the die junction and ambient air, and the rate of airflow. The power dissipated in the device is  $P_{DISS} = I_{OUT} (V_{IN} - V_{OUT})$ . The package features an exposed thermal pad on its underside. This pad lowers the thermal resistance of the package by providing a direct heat conduction path from the die to the PCB. Additionally, the ground pins (GND) perform the dual function of providing an electrical connection to system ground and channeling heat away. Connect the exposed backside pad and GND to the system ground using a large pad or ground plane and multiple vias to the ground plane layer.

## Noise, PSRR, and Transient Response

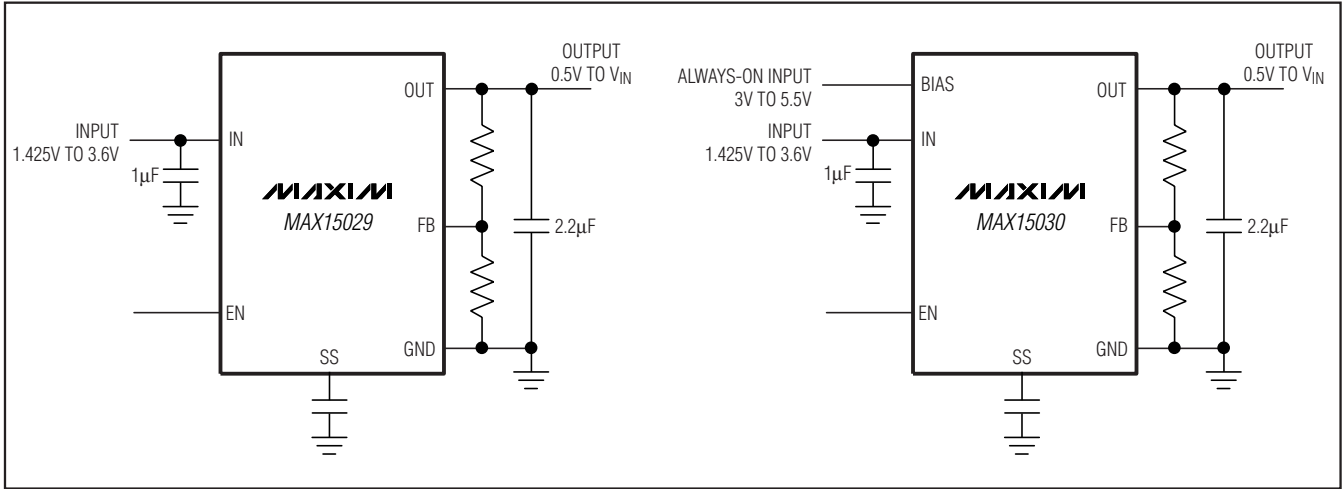
The MAX15029/MAX15030 are designed to operate with low-dropout voltages and low quiescent currents while still maintaining good noise performance, transient response, and AC rejection (see the *Typical Operating Characteristics*). When operating from noisy sources, improved supply-noise rejection and transient response can be achieved by increasing the values of the input and output bypass capacitors and through passive filtering techniques. The MAX15029/MAX15030 load-transient response graphs (see the *Typical Operating Characteristics*) show two components of the output response: a DC shift from the output impedance due to the load current change, and the transient response. A typical transient overshoot for a step change in the load current from 100mA to 500mA is 10mV. Use ceramic output capacitors greater than 2.2 $\mu$ F (up to 100 $\mu$ F) to attenuate the overshoot.

## Layout Guidelines

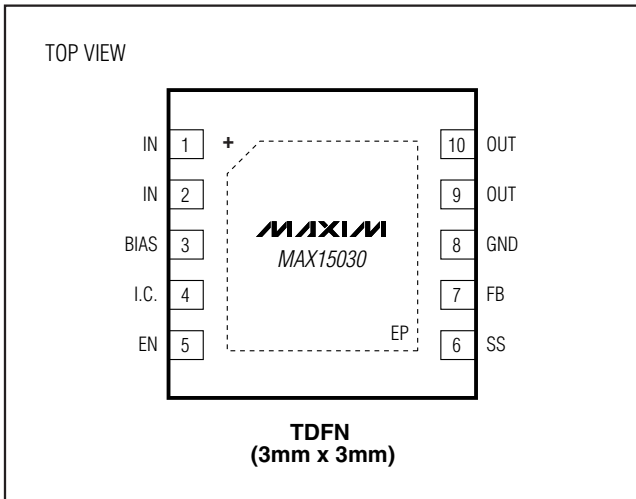
The TDFN package has an exposed thermal pad on its underside. This pad provides a low thermal resistance path for heat transfer into the PCB. This low thermally resistive path carries a majority of the heat away from the IC. The PCB is effectively a heatsink for the IC. The exposed pad should be connected to a large ground plane for proper thermal and electrical performance. The minimum size of the ground plane is dependent upon many system variables. To create an efficient path, the exposed pad should be soldered to a thermal landing, which is connected to the ground plane by thermal vias. The thermal landing should be at least as large as the exposed pad.

# 1.425V to 3.6V Input, 500mA Low-Dropout Regulators with BIAS Input

## Typical Operating Circuits



## Pin Configurations (continued)



## Chip Information

PROCESS: BiCMOS

## Package Information

For the latest package outline information and land patterns (footprints), go to [www.maxim-ic.com/packages](http://www.maxim-ic.com/packages). Note that a "+", "#", or "-" in the package code indicates RoHS status only. Package drawings may show a different suffix character, but the drawing pertains to the package regardless of RoHS status.

PACKAGE TYPE	PACKAGE CODE	OUTLINE NO.	LAND PATTERN NO.
10 TDFN-EP	T1033+1	<a href="#">21-0137</a>	<a href="#">90-0003</a>

# 1.425V to 3.6V Input, 500mA Low-Dropout Regulators with BIAS Input

## Revision History

REVISION NUMBER	REVISION DATE	DESCRIPTION	PAGES CHANGED
0	4/09	Initial release	—
1	2/11	Added the MAX15029 automotive qualified part to the <i>Ordering Information</i> table; added soldering information to the <i>Absolute Maximum Ratings</i> section; added the <i>Package Thermal Characteristics</i> section; added the land pattern no. to the <i>Package Information</i> table	1, 2, 10

MAX15029/MAX15030

Maxim cannot assume responsibility for use of any circuitry other than circuitry entirely embodied in a Maxim product. No circuit patent licenses are implied. Maxim reserves the right to change the circuitry and specifications without notice at any time.

Maxim Integrated Products, 120 San Gabriel Drive, Sunnyvale, CA 94086 408-737-7600 \_\_\_\_\_ 11